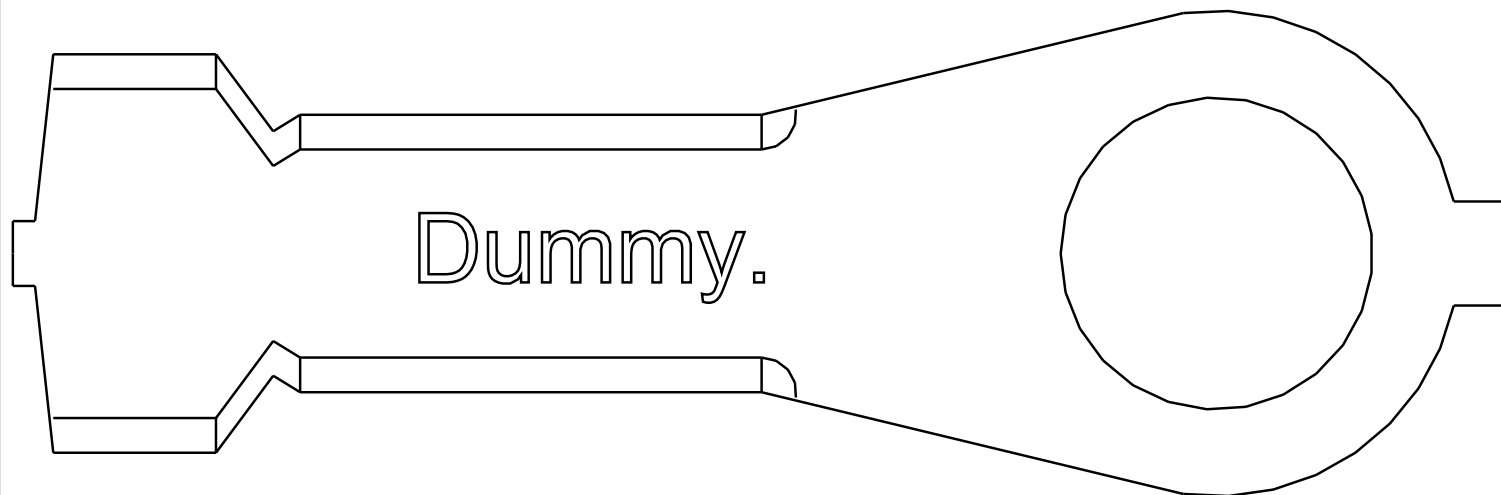


Connector Face

Click to toggle focus



Housing

Not Serviceable

Engineering Part Number

9HC2-14463-DLA

Service Part Number

Colour

TIN PLATED

Cavities

1

Harness

ENGINE COMPARTMENT LH HARNESS

Description

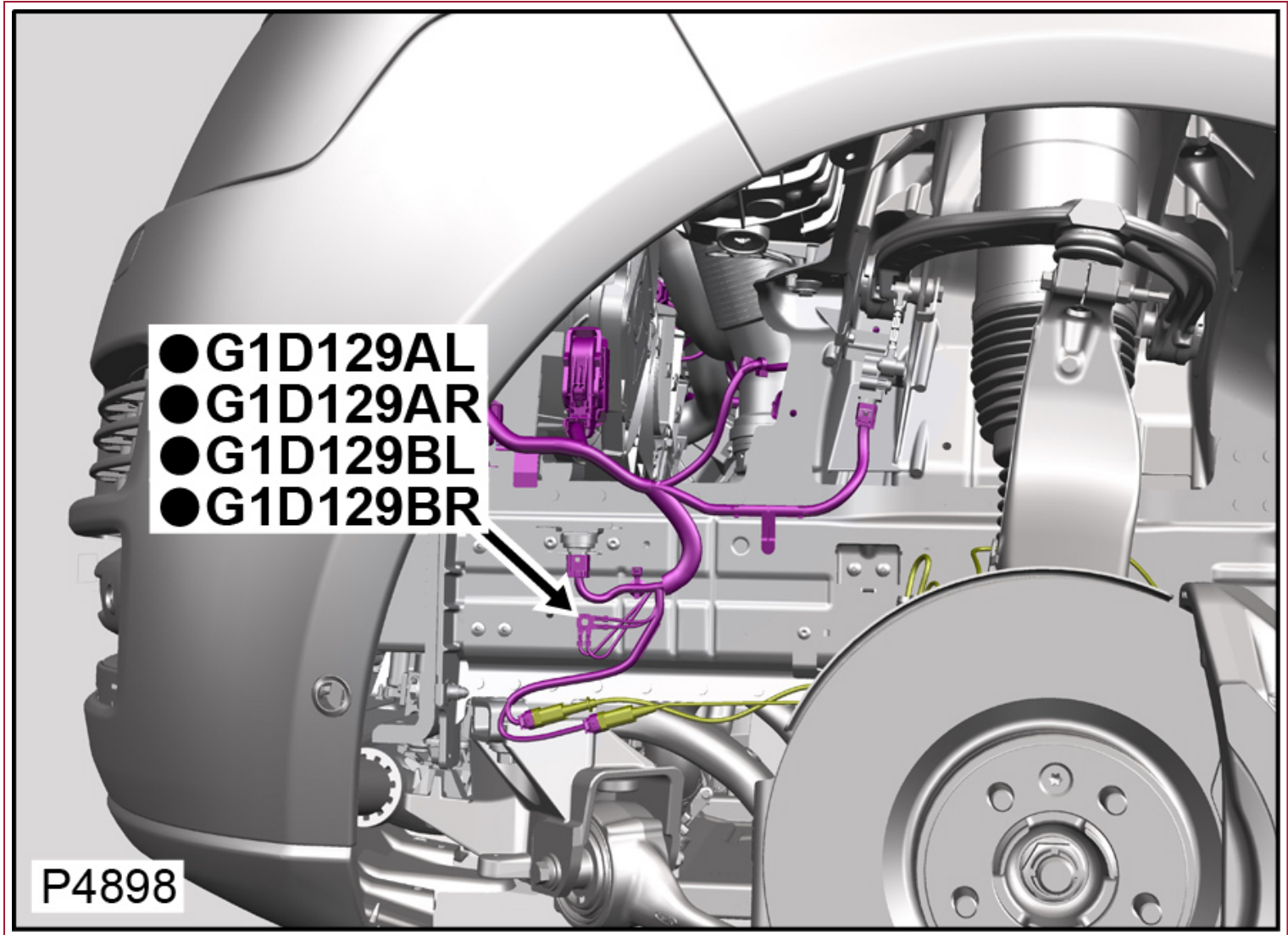
Ground

Location

Behind LH front fender splash shield

Qualifier

LHD condition illustrated



Wire chart

CAV	CSA	COL	CCT	DESTN
1	0.5	BK	GTDAD	C1MF01
1	0.75	BK	ALL	S1D129BL