

2016.0 RANGE ROVER (LG), 417-01

EXTERIOR LIGHTING

# HEADLAMP BULB (G1549876)

REMOVAL AND INSTALLATION

---

---

## REMOVAL

### WARNING:

Vehicles fitted with Xenon headlamps, the following precautions must be observed. Failure to comply may result in exposure to ultra violet rays, severe electric shock, burns or the risk of explosion. Ensure the headlamps are switched off at all times. Eye and hand protection must be worn. Never switch on the lamps or test the bulbs with the lamp holder released from the headlamp.

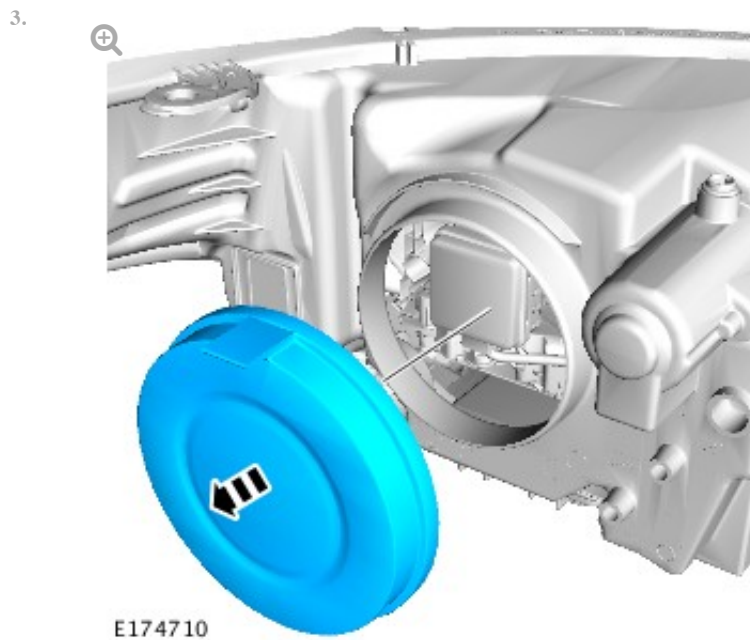
### CAUTION:

LH illustration shown, RH is similar.

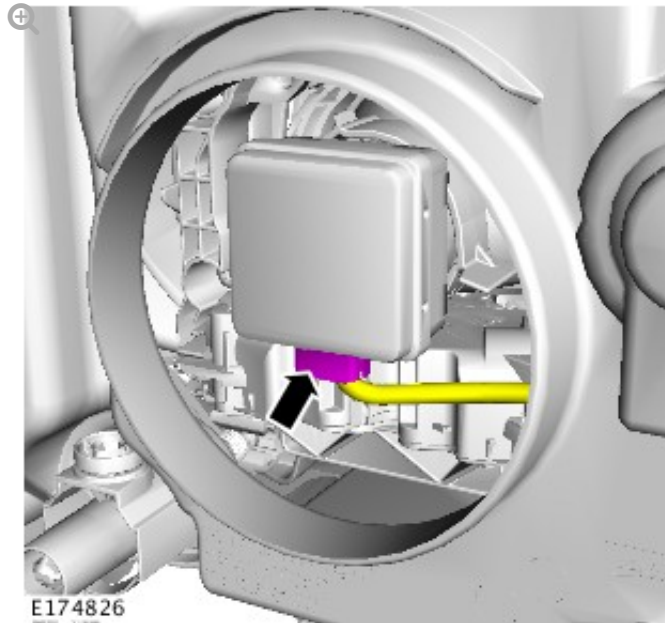
### NOTE:

Removal steps in this procedure may contain installation details.

1. Remove the battery ground cable.  
Refer to: [Specifications](#) (414-00 Battery and Charging System - General Information, Specifications).
2. Refer to: [Left Air Cleaner](#) (303-12A Intake Air Distribution and Filtering - TDV6 3.0L Diesel - Gen 2/TDV6 3.0L Diesel, Removal and Installation).  
Refer to: [Left Air Cleaner](#) (303-12B Intake Air Distribution and Filtering - V6 S/C 3.0L Petrol, Removal and Installation).  
Refer to: [Left Air Cleaner](#) (303-12D Intake Air Distribution and Filtering - V8 S/C 5.0L Petrol, Removal and Installation).  
Refer to: [Left Air Cleaner](#) (303-12E Intake Air Distribution and Filtering - TDV8 4.4L Diesel, Removal and Installation).



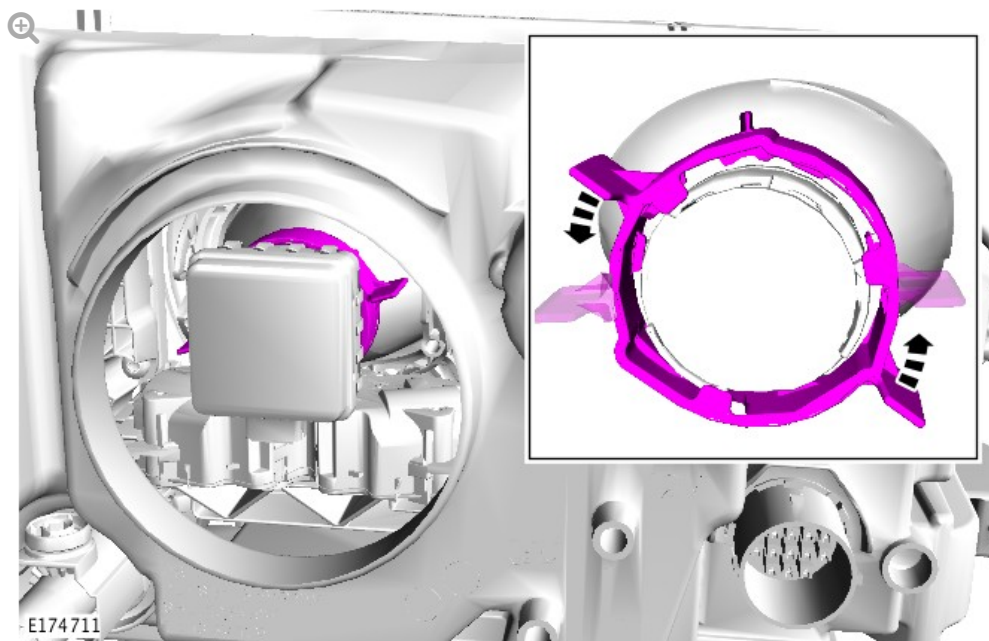
4.



5.

**NOTE:**

If equipped with Xenon lighting.

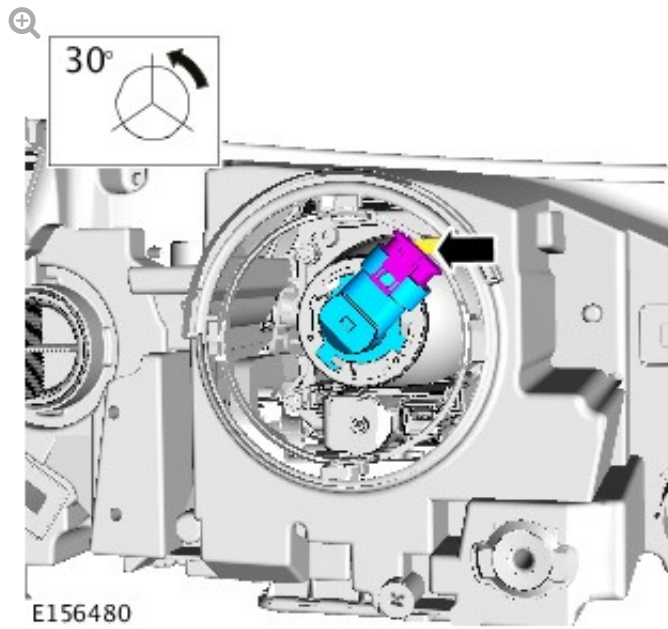


Rotate the headlamp bulb locking ring counter-clockwise.

6.

**NOTE:**

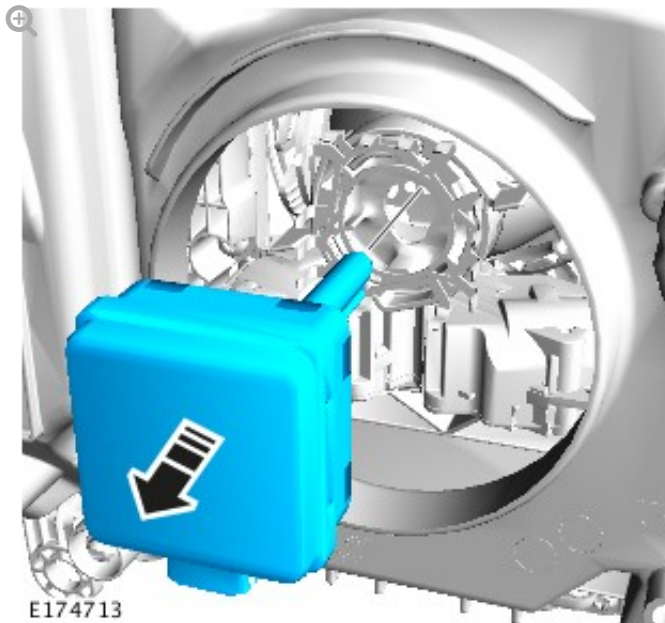
If equipped with standard lighting.



7.

**NOTE:**

If equipped with Xenon lighting.



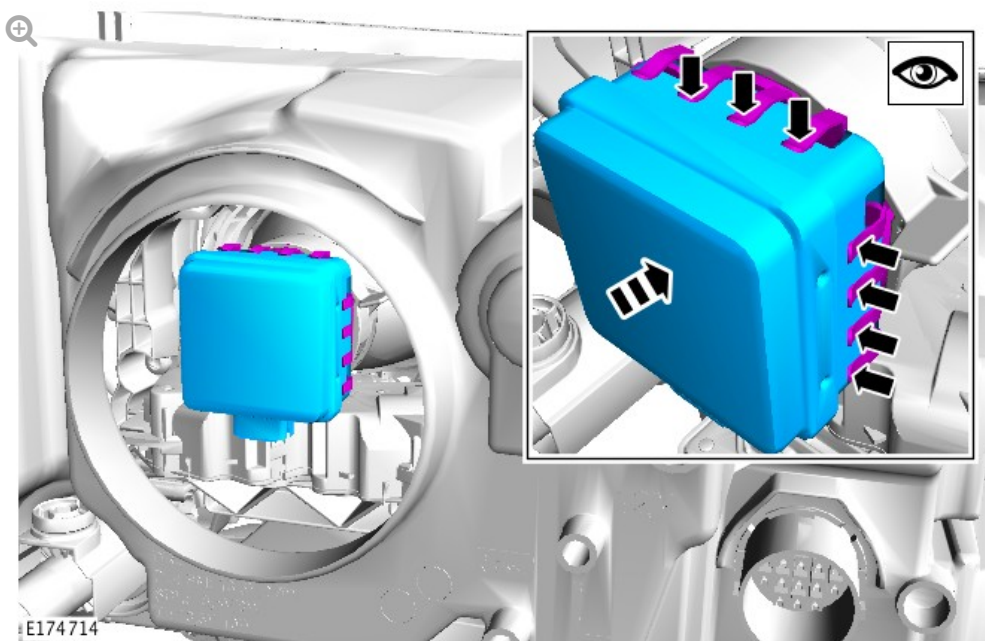
Remove the headlamp bulb.

## INSTALLATION

1.

### NOTE:

If equipped with Xenon lighting.



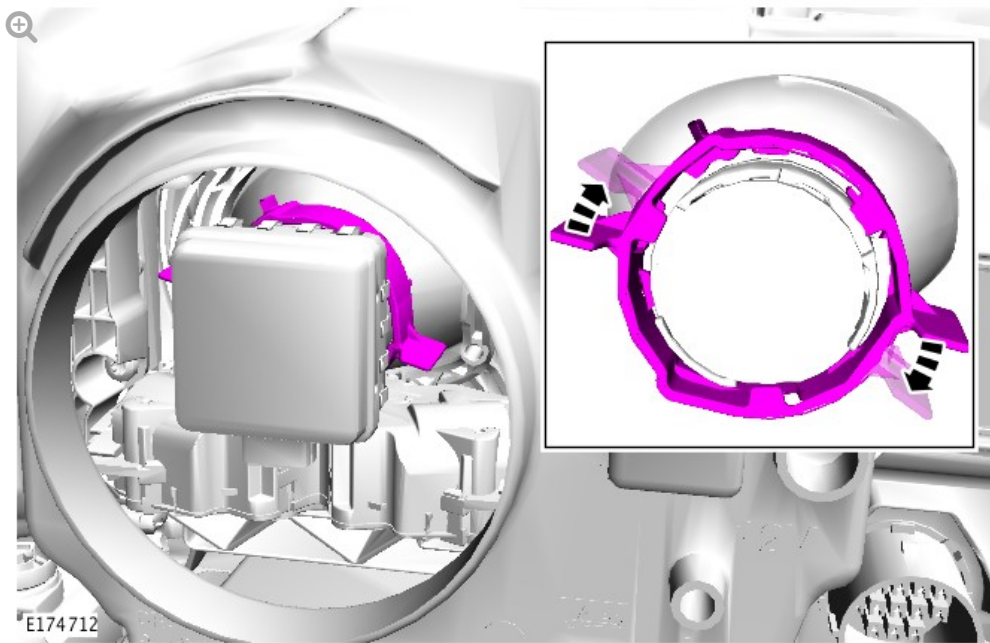
Install the headlamp bulb, make sure the spring tabs are located

correctly.

2.

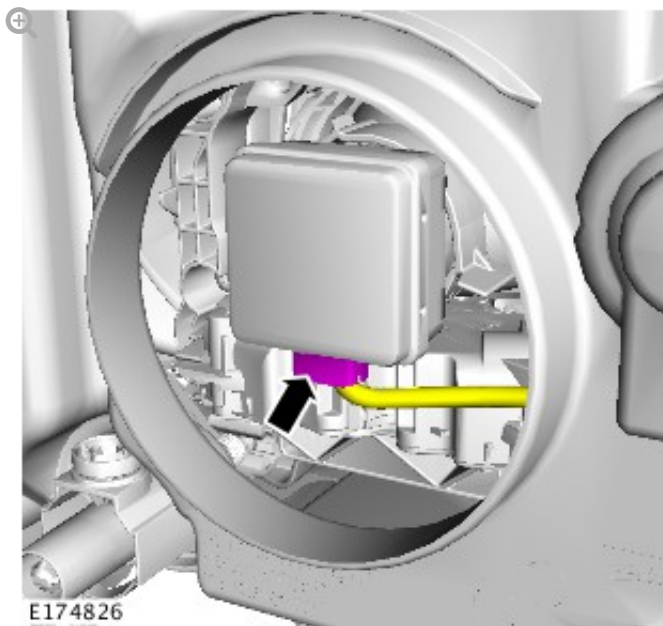
**NOTE:**

If equipped with Xenon lighting.

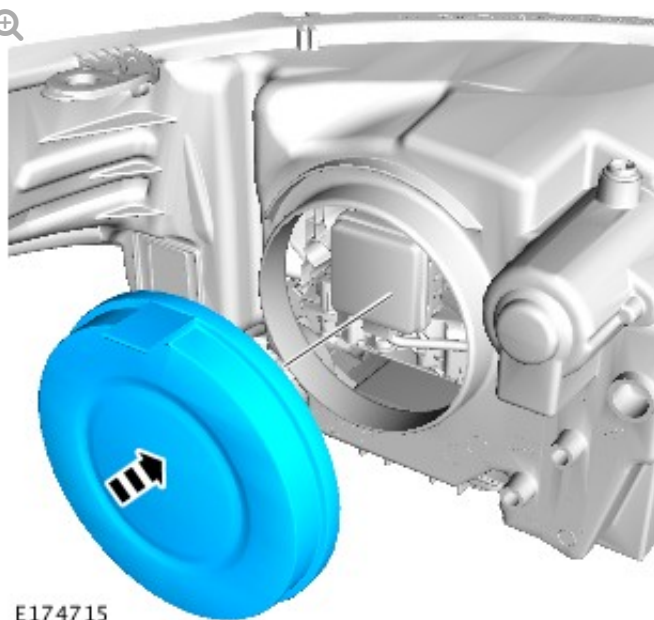


Rotate the headlamp bulb locking ring clockwise.

3.



4.



E174715