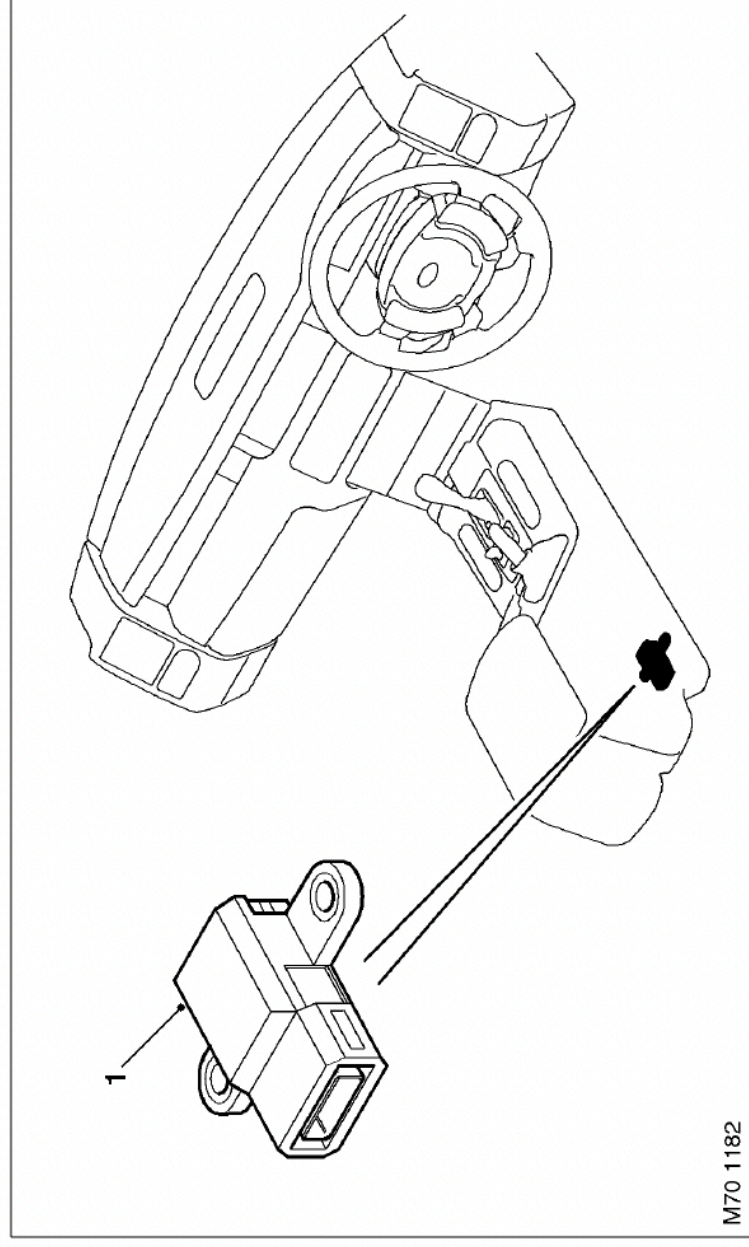


Dynamic Stability Control Sensor



1 DSC sensor

Located under the centre console, the dynamic stability control sensor provides two inputs to the ABS ECU, lateral acceleration and rotational rate. The sensor is isolated from body/chassis vibrations through its rubber mounting.

For rotational speed, the sensor produces a reference signal of 2.5 volts and a linear voltage signal from 0.7 to 4.3 volts. This linear voltage input signal is used by the ABS ECU as the degree of rotational rate (yaw).

The sensor also produces a linear voltage signal for the lateral acceleration that ranges from 0.5 to 4.5 volts. The ABS ECU uses this input to determine the side forces acting on the vehicle for DSC regulation.

The DSC sensor has diagnostic capability via the ABS ECU through TestBook/T4.

The DSC sensor also supplies the air suspension ECU cornering information.