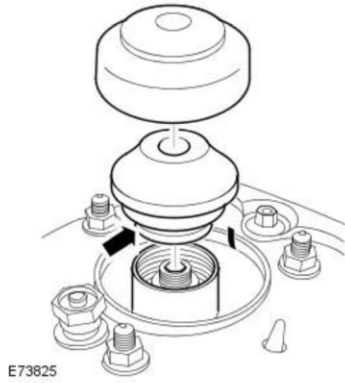



6. LH side: Secure the brake pad wear sensor lead.

- Secure in the clip.

7. Vehicles with high performance brakes: Install a new damper.

- Clean the component mating faces.
- Apply a 3 mm bead of high strength retainer STC 50554 to the thread.
- Tighten to 20 Nm (15 lb.ft).
- Install the cap.



8.  CAUTION: The air springs must be fully pressurised before the weight of the vehicle is applied to them.

Export PDF

Adobe Export PDF

Convert PDF Files to Word or Excel Online

Select PDF File

Front air sus-n removal.pdf

Convert to

Microsoft Word (*.docx)

Document Language: English (U.S.) Change

Convert

Create PDF

Edit PDF

Comment

Combine Files

Organize Pages

Fill & Sign

Send for Signature

Send & Track

More Tools

Store and share files in the Document Cloud

Learn More